

OPTICLUX 10-2 C T1 (Wood's light)

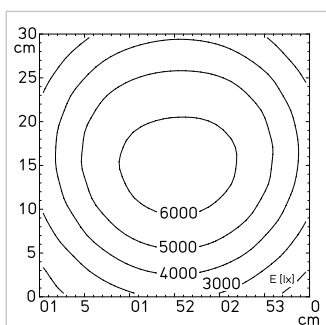
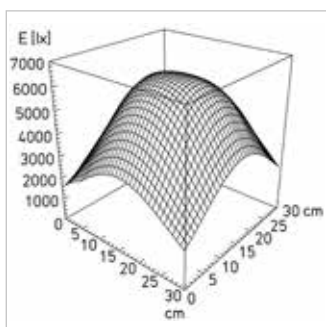
TECHNICAL DATA

FITTED WITH	1×LED module
LUMINOUS POWER	6000 lux / 0.15 m *
COLOR RENDERING INDEX	CRI > 95, R9 > 91
COLOR TEMPERATURE	6500 K * & 365 nm (Wood's light)
LENS DIMENSIONS	Ø 160 mm
LENS DIOPTERS	3,5 (approx. enlargement up to 1,9x)
LENS MATERIAL	PMMA (hardened)
OPERATION EQUIPMENT	Electronic transformer
VOLTAGE	100-240 V; 50/60 Hz
CORD LENGTH	Direct power supply
LUMINAIRE BODY	Polyamid (PA)
WEIGHT (NET)	ca. 9,1 kg
POWER CONSUMPTION	12 W
USAGE	Touch panel on light head
CLASS OF PROTECTION	I
PROTECTION RATING	IP 20
STANDARDS MET	EN 60601-1, EN 60601-2-41
SPECIAL FEATURES	Scratch-resistant plastic lens, continuously dimmable, switchable to Wood's light, rotary joint (360° turnover axis)
MOUNTING	Ceiling mount, ceiling tube can be cut on site (length: 40-116 cm)
ACCESSORIES	Intermediate ceiling adapter
ORDER NUMBER	D15.816.000-00752633 - pure white

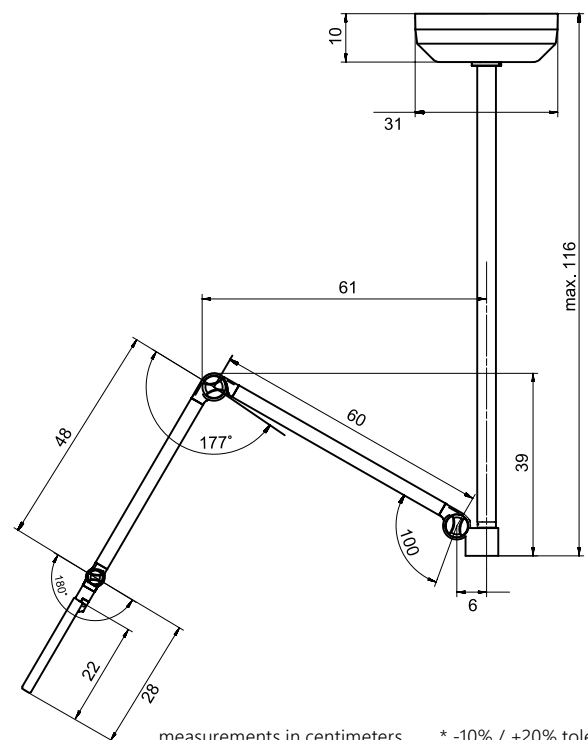
MAGNIFIER LUMINAIRE



LIGHT DISTRIBUTION



TECHNICAL DRAWING



OPTICLUX 10-1 C T1

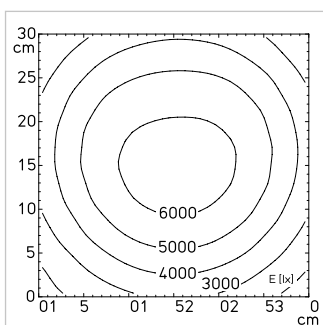
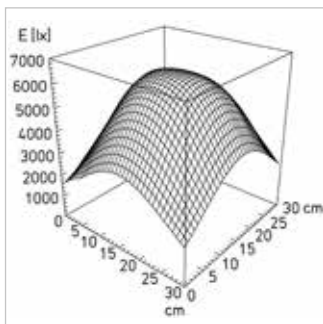
TECHNICAL DATA

FITTED WITH	1×LED module
LUMINOUS POWER	6 000 lux / 0.15 m *
COLOR RENDERING INDEX	CRI > 95, R9 > 91
COLOR TEMPERATURE	6 500 K *
LENS DIMENSIONS	Ø 160 mm
MAGNIFICATION	3,5 (approx. enlargement up to 1,9x)
LENS MATERIAL	PMMA (hardened)
OPERATION EQUIPMENT	Electronic transformer
VOLTAGE	100-240 V; 50/60 Hz
CORD LENGTH	Direct power supply
LUMINAIRE BODY	Polyamid (PA)
WEIGHT (NET)	ca. 9,1 kg
POWER CONSUMPTION	12 W
USAGE	Touch panel on light head
CLASS OF PROTECTION	I
PROTECTION RATING	IP 20
STANDARDS MET	EN 60601-1, EN 60601-2-41
SPECIAL FEATURES	Scratch-resistant plastic lens, continuously dimmable, rotary joint (360° turnover axis)
MOUNTING	Ceiling mount, ceiling tube can be cut on site (length: 40-116 cm)
ACCESSORIES	Intermediate ceiling adapter
ORDER NUMBER	D15.817.000-00752639 - pure white

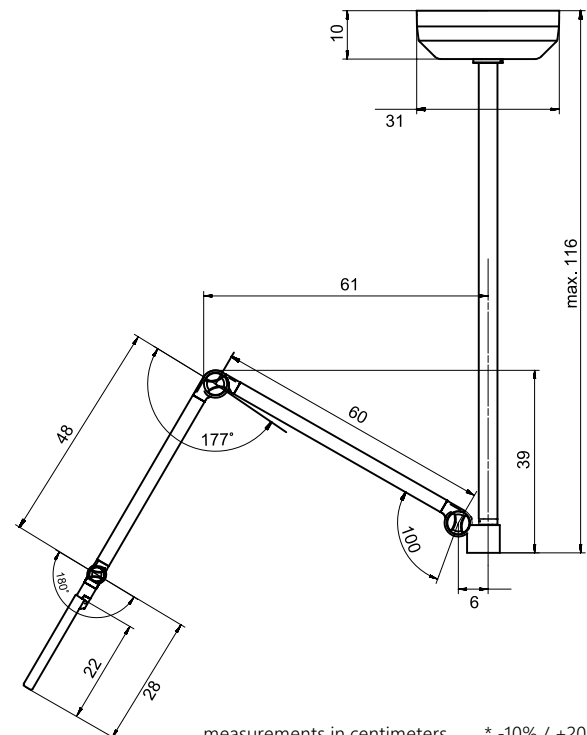
MAGNIFIER LUMINAIRE



LIGHT DISTRIBUTION



TECHNICAL DRAWING



OPTICLUX 10-2 P TX (Wood's light)

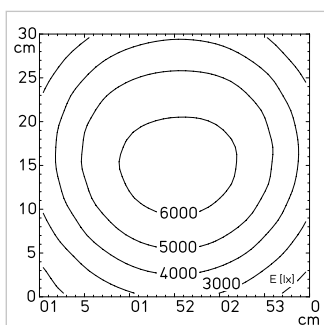
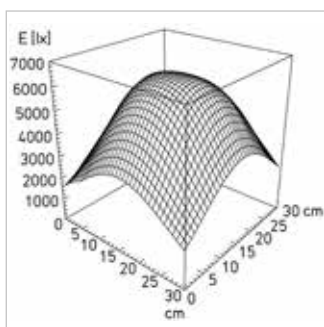
TECHNICAL DATA

FITTED WITH	1×LED module
LUMINOUS POWER	6000 lux / 0.15 m *
COLOR RENDERING INDEX	CRI > 95
COLOR TEMPERATURE	6500 K * & 365 nm (Wood's light)
LENS DIMENSIONS	Ø 160 mm
MAGNIFICATION	3,5 (approx. enlargement up to 1,9x)
LENS MATERIAL	PMMA (hardened)
OPERATION EQUIPMENT	Electronic transformer
VOLTAGE	100-240 V; 50/60 Hz
CORD LENGTH	1,8 m
LUMINAIRE BODY	Polyamid (PA)
WEIGHT (NET)	2,0 kg
POWER CONSUMPTION	12 W
USAGE	Touch panel on light head
CLASS OF PROTECTION	I
PROTECTION RATING	IP 20
STANDARDS MET	EN 60601-1, EN 60601-2-41
SPECIAL FEATURES	Scratch-resistant plastic lens, continuously dimmable, switchable to Wood's light, rotary joint (360° turnover axis)
MOUNTING	Mounting pin (Ø 16 mm)
ACCESSORIES	Rolling floor stand, rail mount with removal guard, table clamp with removal guard, universal mount with removal guard, wall mount with removal guard
ORDER NUMBER	D15.814.000-00752615 - pure white - Euro D15.851.000-00752645 - pure white - UK

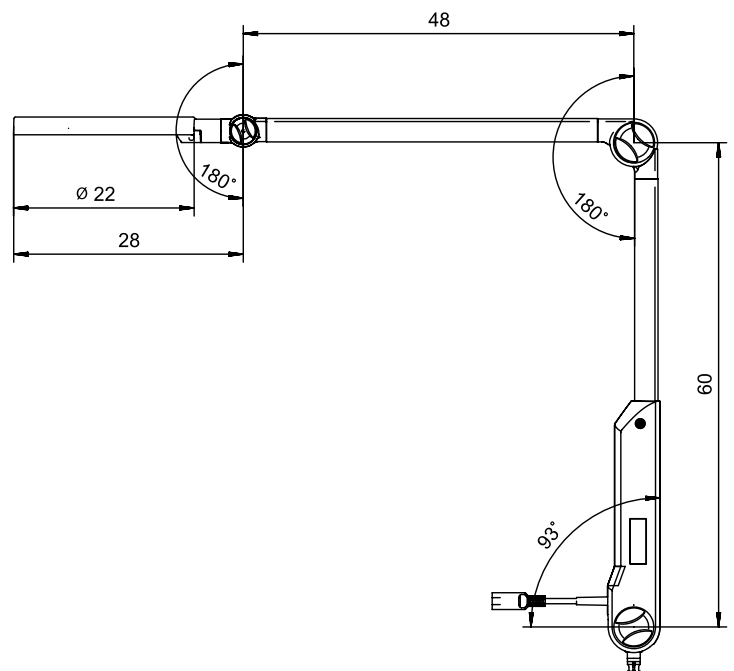
MAGNIFIER LUMINAIRE



LIGHT DISTRIBUTION



TECHNICAL DRAWING



OPTICLUX 10-1 P TX

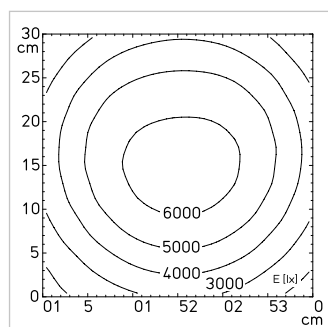
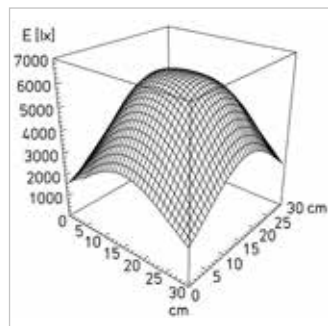
TECHNICAL DATA

FITTED WITH	1×LED module
LUMINOUS POWER	6000 lux / 0.15 m *
COLOR RENDERING INDEX	CRI > 95
COLOR TEMPERATURE	6500 K *
LENS DIMENSIONS	Ø 160 mm
MAGNIFICATION	3,5 (approx. enlargement up to 1,9x)
LENS MATERIAL	PMMA (hardened)
OPERATION EQUIPMENT	Electronic transformer
VOLTAGE	100-240 V; 50/60 Hz
CORD LENGTH	1,8 m
LUMINAIRE BODY	Polyamid (PA)
WEIGHT (NET)	2,0 kg
POWER CONSUMPTION	12 W
USAGE	Touch panel on light head
CLASS OF PROTECTION	I
PROTECTION RATING	IP 20
STANDARDS MET	EN 60601-1, EN 60601-2-41
SPECIAL FEATURES	Scratch-resistant plastic lens, continuously dimmable, rotary joint (360° turnover axis)
MOUNTING	Mounting pin (Ø 16 mm)
ACCESSORIES	Rolling floor stand, rail mount with removal guard, table clamp with removal guard, universal mount with removal guard, wall mount with removal guard
ORDER NUMBER	D15.815.000-00752618 - pure white - Euro D15.850.000-00752642 - pure white - UK

MAGNIFIER LUMINAIRE



LIGHT DISTRIBUTION



TECHNICAL DRAWING

