

OPTICLUX Hand 10-2 UV (Wood's light)

TECHNICAL DATA	
FITTED WITH	1×LED module
LUMINOUS POWER	8000 lux / 0.15 m *
COLOR RENDERING INDEX	CRI > 95, R9 > 93
COLOR TEMPERATURE	6500 K * & 365 nm (Wood's light)
LENS DIMENSIONS	Ø 160 mm (6.3 in) *
MAGNIFICATION	3.5 diopters (1.9X)
LENS MATERIAL	PMMA
VOLTAGE	100 - 240 V; 50 / 60 Hz
CHARGING CABLE	USB-C, 1.5 m (5 ft.)
LUMINAIRE BODY	polycarbonate (PC) & acrylonitrile butadiene styrene copolymer (ABS)
WEIGHT (NET)	0.6 kg (1.3 lb)
POWER CONSUMPTION	7 W
USAGE	Touch panel on handle
BATTERY RUNTIME	Up to 3h
CLASS OF PROTECTION	II
PROTECTION RATING	IP 20
STANDARDS MET	IEC 60601-1, IEC 60601-1-2
SPECIAL FEATURES	Ergonomic handle, scratch-resistant plastic lens, continuously dimmable, maintenance-free, switchable to Wood's light, rechargeable battery, protective cover
ACCESSORIES	Table charging station
ORDER NUMBER	D16.005.000-807073 - pure white - Euro D16.067.000-807547 - pure white - USB

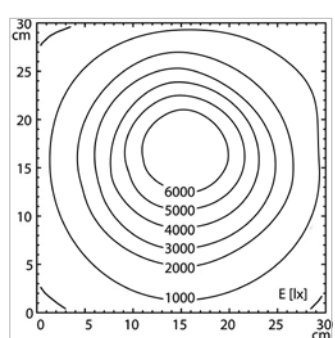
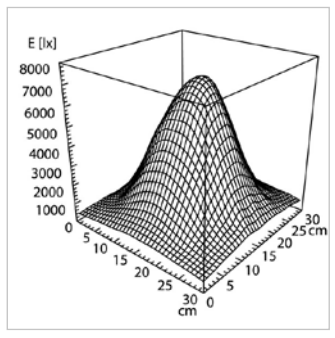
MAGNIFIER LUMINAIRE



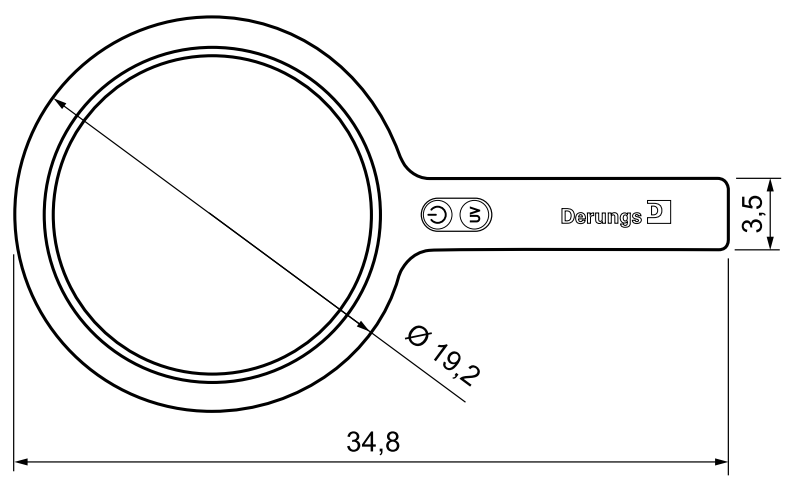
	Order No.
Opticlux Hand 10-2 UV Bundle*	D16.239.000-00814723 - Euro D16.240.000-00814724 - USB

* The bundle includes the OPTICLUX hand and the desk charging station.

LIGHT DISTRIBUTION



TECHNICAL DRAWING



OPTICLUX Hand 10-1 DL

TECHNICAL DATA	
FITTED WITH	1×LED module
LUMINOUS POWER	8 000 lux / 0.15 m *
COLOR RENDERING INDEX	CRI > 95, R9 > 93
COLOR TEMPERATURE	6 500 K *
LENS DIMENSIONS	Ø 160 mm (6.3 in) *
MAGNIFICATION	3.5 diopters (1.9X)
LENS MATERIAL	PMMA
VOLTAGE	100 - 240 V; 50 / 60 Hz
CHARGING CABLE	USB-C, 1.5 m (5 ft.)
LUMINAIRE BODY	polycarbonate (PC) & acrylonitrile butadiene styrene copolymer (ABS)
WEIGHT (NET)	0.6 kg (1.3 lb)
POWER CONSUMPTION	7 W
USAGE	Touch panel on handle
BATTERY RUNTIME	Up to 3h
CLASS OF PROTECTION	II
PROTECTION RATING	IP 20
STANDARDS MET	IEC 60601-1, IEC 60601-1-2
SPECIAL FEATURES	Ergonomic handle, scratch-resistant plastic lens, continuously dimmable, maintenance-free, rechargeable battery, protective cover
ACCESSORIES	Table charging station
ORDER NUMBER	D16.004.000-807073 - pure white - Euro D16.066.000- 807546 - pure white - USB

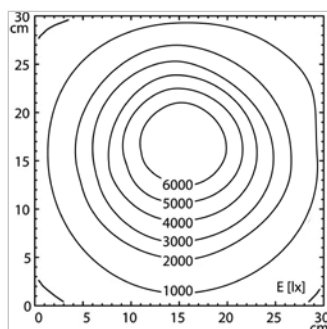
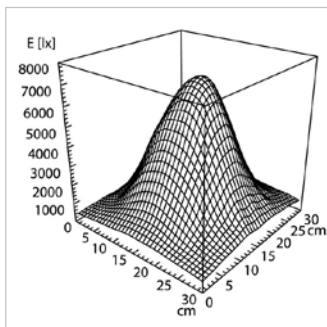
MAGNIFIER LUMINAIRE



	Order No.
Opticlux Hand 10-1 DL Bundle*	D16.237.000-00814721 - Euro D16.238.000-00814722 - USB

* The bundle includes the OPTICLUX hand and the desk charging station.

LIGHT DISTRIBUTION



TECHNICAL DRAWING

