

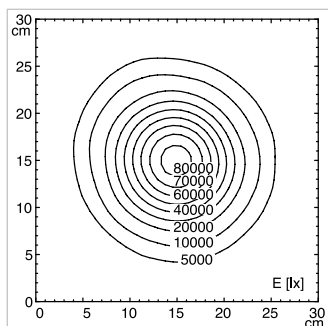
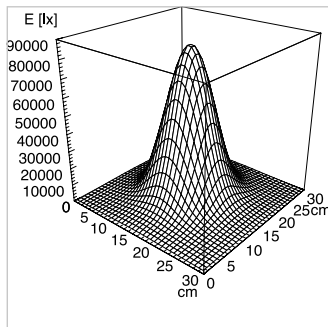
TRIANGO 80 C

TECHNICAL DATA	
FITTED WITH	1 × LED module
LUMINOUS POWER	80 000 lux / 1,0 m *
COLOR TEMPERATURE	4 500 K *
LIGHTING FIELD 1,0 m	∅ 18 cm*
DEPTH OF ILLUMINATION	124 cm
COLOR RENDERING INDEX	CRI > 95
OPERATION EQUIPMENT	Electronic converter
CORD LENGTH	Direct power supply
LUMINAIRE BODY	Polycarbonate & acrylonitrile butadiene styrene copolymer (PC & ABS)
WEIGHT (NET)	14 kg
POWER CONSUMPTION	30 Watt
RATED CONNECTION VOLTAGE	100 - 240 V
FREQUENCY RANGE	50 / 60 Hz
USAGE	Rotary switch on the luminaire head
TECHNOLOGY	Single-pole secondary
BALANCE OF ARTICULATION JOINTS	Spring (weight compensation)
CLASS OF PROTECTION	I
PROTECTION RATING	According to IEC 60529 IP 20 luminaire head IP 43 (horizontal position)
STANDARDS MET	EN 60601-1, EN 60601-2-41
SPECIAL FEATURES	Continuously dimmable (40-100%) *, sterilizable handle
MOUNTING	Ceiling mount, ceiling tube could be cut to length 25-120 cm
ACCESSORIES	Sterilizable handle, disposable cover for handle, intermediate ceiling adapter
ORDER NUMBER	D16.131.000-00808951

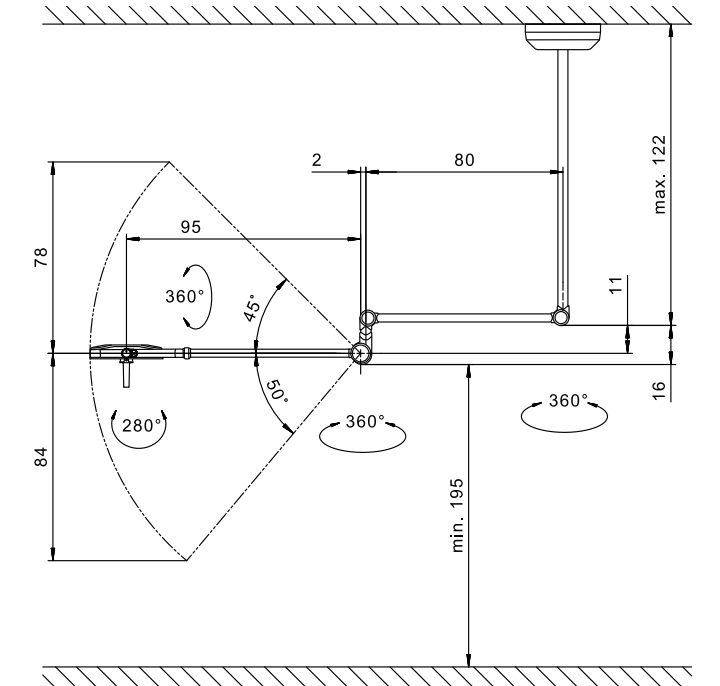
TREATMENT LIGHT



LIGHT DISTRIBUTION



TECHNICAL DRAWING



TRIANGO 80 W

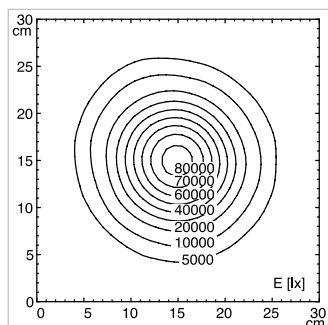
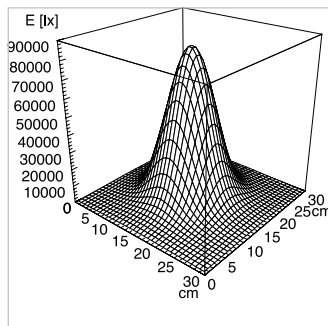
TECHNICAL DATA

FITTED WITH	1 × LED module
LUMINOUS POWER	80 000 lux / 1,0 m *
COLOR TEMPERATURE	4 500 K *
LIGHTING FIELD 1,0 m	∅ 18 cm*
DEPTH OF ILLUMINATION	124 cm
COLOR RENDERING INDEX	CRI > 95
OPERATION EQUIPMENT	Electronic converter
CORD LENGTH	Direct power supply
LUMINAIRE BODY	Polycarbonate & acrylonitrile butadiene styrene copolymer (PC & ABS)
WEIGHT (NET)	13,5 kg
POWER CONSUMPTION	30 Watt
RATED CONNECTION VOLTAGE	100 - 240 V
FREQUENCY RANGE	50 / 60 Hz
USAGE	Rotary switch on the luminaire head
TECHNOLOGY	Single-pole secondary
BALANCE OF ARTICULATION JOINTS	Spring (weight compensation)
CLASS OF PROTECTION	I
PROTECTION RATING	According to IEC 60529 IP 20 luminaire head IP 43 (horizontal position)
STANDARDS MET	EN 60601-1, EN 60601-2-41
SPECIAL FEATURES	Continuously dimmable (40-100%) *, sterilizable handle
MOUNTING	Wall mount
ACCESSORIES	Sterilizable handle, disposable cover for handle
ORDER NUMBER	D16.136.000-00808986

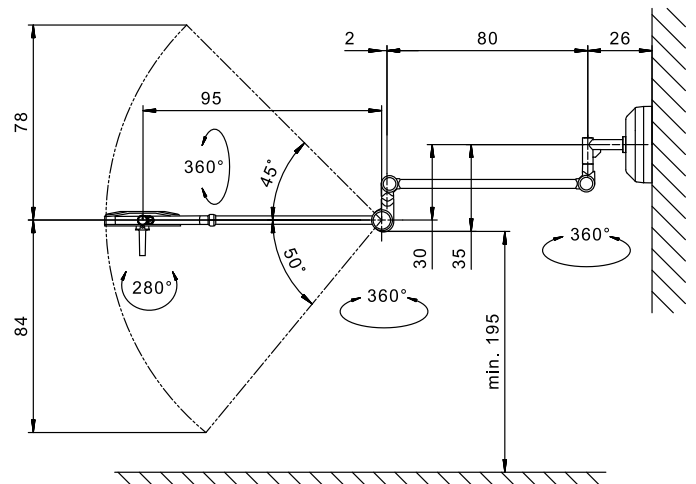
TREATMENT LIGHT



LIGHT DISTRIBUTION



TECHNICAL DRAWING



TRIANGO 80 F

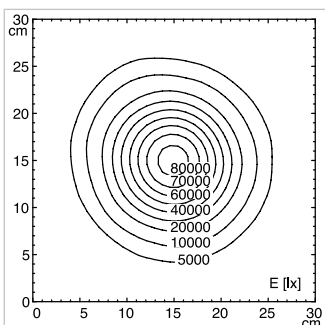
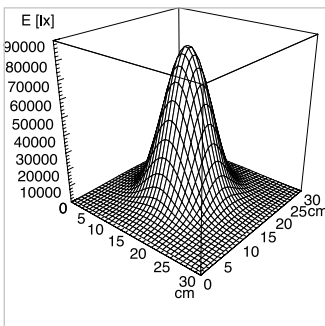
TECHNICAL DATA

FITTED WITH	1 × LED module
LUMINOUS POWER	80 000 Lux / 1,0 m *
COLOR TEMPERATURE	4 500 K *
LIGHTING FIELD 1,0 m	∅ 18 cm*
DEPTH OF ILLUMINATION	124 cm
COLOR RENDERING INDEX	CRI > 95
OPERATION EQUIPMENT	Electronic converter
CORD LENGTH	3 m
LUMINAIRE BODY	Polycarbonate & Acrylonitrile-butadiene-styrene-copolymer (PC & ABS)
WEIGHT (NET)	20 kg
POWER CONSUMPTION	30 Watt
RATED CONNECTION VOLTAGE	100 - 240 V
FREQUENCY RANGE	50 / 60 Hz
USAGE	Rotary switch on the luminaire head
TECHNOLOGY	Single-pole secondary
BALANCE OF ARTICULATION JOINTS	Spring (weight compensation)
CLASS OF PROTECTION	I
PROTECTION RATING	According to IEC 60529 IP 20 luminaire head IP 43 (horizontal position)
STANDARDS MET	EN 60601-1, EN 60601-2-41
SPECIAL FEATURES	Continuously dimmable (40-100%) *, sterilizable handle
MOUNTING	roller stand
ACCESSORIES	disposable cover for handle, intermediate ceiling adapter
ORDER NUMBER	D16.132.000-00808982 - pure white - Schuko D16.133.000-00808983 - pure white - CH D16.134.000-00808984 - pure white - UK

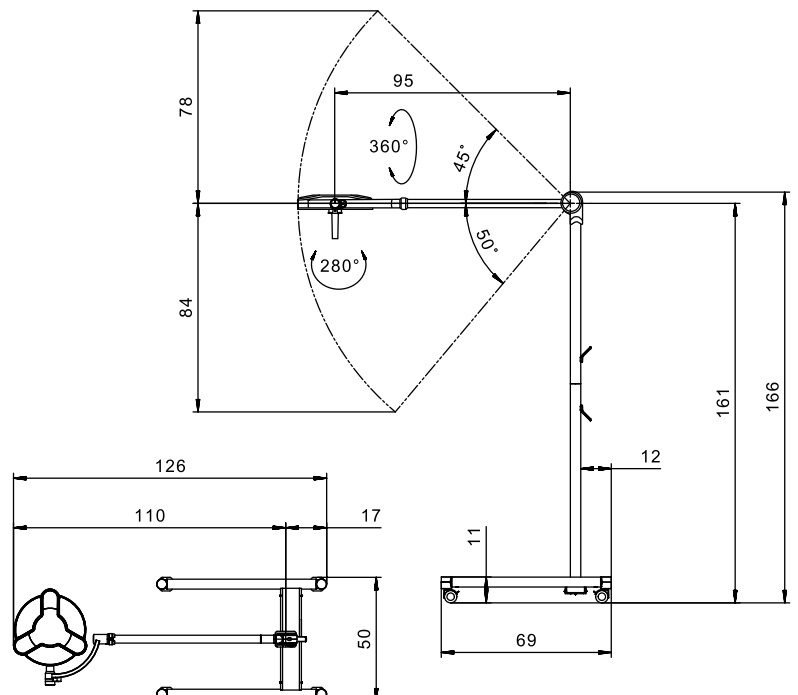
TREATMENT LIGHT



LIGHT DISTRIBUTION



TECHNICAL DRAWING



TRIANGO 80 F Battery

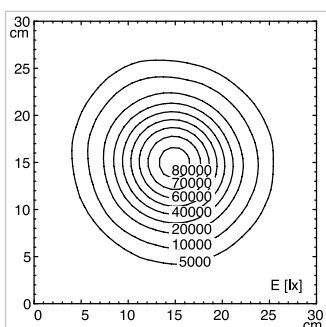
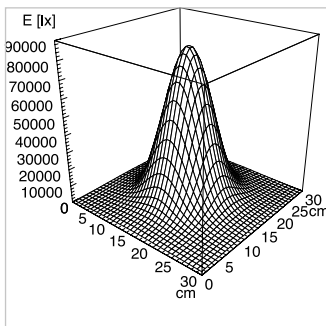
TECHNICAL DATA

FITTED WITH	1 × LED module
LUMINOUS POWER	80 000 Lux / 1,0 m *
COLOR TEMPERATURE	4 500 K *
LIGHTING FIELD 1,0 m	ø 18 cm*
DEPTH OF ILLUMINATION	124 cm
COLOR RENDERING INDEX	CRI > 95
OPERATION EQUIPMENT	Electronic converter
CORD LENGTH	3 m
LUMINAIRE BODY	Polycarbonate & Acrylonitrile-butadiene-styrene-copolymer (PC & ABS)
WEIGHT (NET)	32 kg
POWER CONSUMPTION	30 Watt
RATED CONNECTION VOLTAGE	100 - 240 V
FREQUENCY RANGE	50 / 60 Hz
USAGE	Rotary switch on the luminaire head
TECHNOLOGY	Single-pole secondary
BALANCE OF ARTICULATION JOINTS	Spring (weight compensation)
CLASS OF PROTECTION	I
PROTECTION RATING	According to IEC 60529 IP 20 luminaire head IP 43 (horizontal position)
STANDARDS MET	EN 60601-1, EN 60601-2-41
SPECIAL FEATURES	Continuously dimmable (40-100%) *, sterilizable handle, UPSmed Pack
MOUNTING	roller stand
ACCESSORIES	disposable cover for handle, intermediate ceiling adapter
BATTERY LIFE UP TO 70%	1 200 cycles
BATTERY RUNTIME	- 6.5 h
BATTERY TYPE	NP17-12I Industrial VRLA Battery
ORDER NUMBER	D16.218.000-00 814487 - CH D16.209.000-00 814486 - Schuko D16.219.000-00 814488 - UK

TREATMENT LIGHT



LIGHT DISTRIBUTION



TECHNICAL DRAWING

