

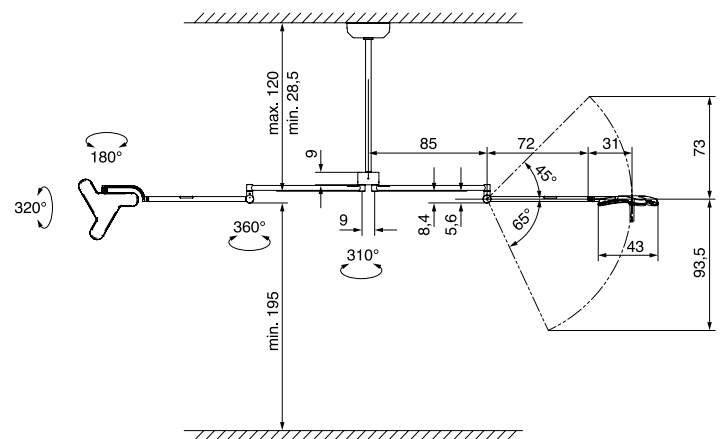
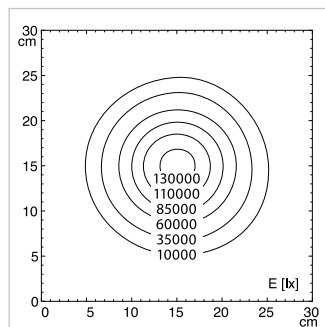
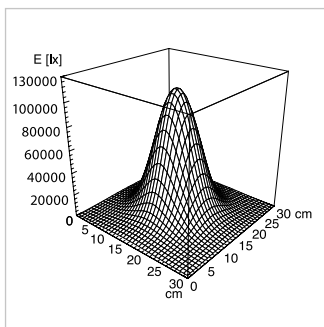


TRIANGO 130 C Duo

TECHNICAL DATA	
FITTED WITH	1 x LED module
LUMINOUS POWER	2 x 130 000 lux / 1.0 m *
COLOR RENDERING INDEX	Ra > 96
DEPTH OF ILLUMINATION	80 cm
OPERATION EQUIPMENT	Electronic converter
CORD LENGTH	Direct power supply
LUMINAIRE BODY	Polyamide (PA)
WEIGHT (NET)	30 kg (DUO total)
POWER CONSUMPTION	2 x 40 W
RATED CONNECTION VOLTAGE	100 - 240 V
FREQUENCY RANGE	50 / 60 Hz
USAGE	Touch panel on cardanic system
TECHNOLOGY	Single-pole secondary
BALANCE OF ARTICULATION JOINTS	Spring (weight compensation)
CLASS OF PROTECTION	I
PROTECTION RATING	According to IEC 60529 IP 20 luminaire head IP 43 (horizontal position)
STANDARDS MET	EN 60601-1, EN 60601-2-41
SPECIAL FEATURES	Sterilizable handle, high quality arm system, 4-step dimmable (100% / 80% / 60% / 40%) *, focusable, color changeable
MOUNTING	Ceiling mount, ceiling tube can be cut on site (length: 25-120 cm)
ACCESSORIES	Sterilizable handle, handle cover, intermediate ceiling adapter



	lighting field / 1.0 m	color temperature	dimmable	Order No.
	changeable value 16 / 20 / 25 cm	changeable value 3700 / 4300 / 4700 K*		
TRIANGO Fokus 130-3 C Duo	x	x	x	D16.248.000



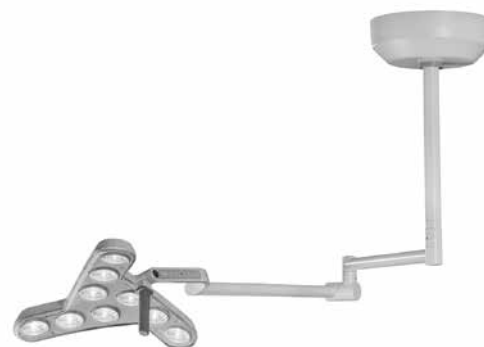
Valid for Triango 130 with fixed lighting field / per luminaire head

TRIANGO 130 C



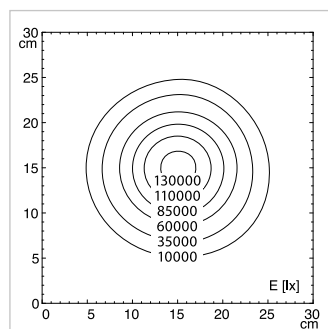
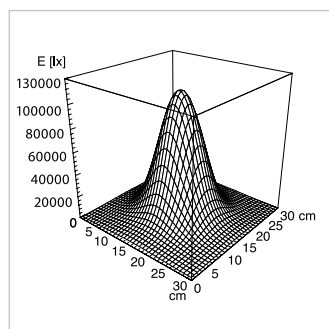
TECHNICAL DATA	
FITTED WITH	1 x LED module
LUMINOUS POWER	130 000 lux / 1.0 m *
COLOR RENDERING INDEX	Ra > 96
DEPTH OF ILLUMINATION	80 cm
OPERATION EQUIPMENT	Electronic converter
CORD LENGTH	Direct power supply
LUMINAIRE BODY	Polyamide (PA)
WEIGHT (NET)	15.9 kg
POWER CONSUMPTION	40 W
RATED CONNECTION VOLTAGE	100 - 240 V
FREQUENCY RANGE	50 / 60 Hz
USAGE	Touch panel on cardanic system
TECHNOLOGY	Single-pole secondary
BALANCE OF ARTICULATION JOINTS	Spring (weight compensation)
CLASS OF PROTECTION	I
PROTECTION RATING	According to IEC 60529 IP 20 luminaire head IP 43 (horizontal position)
STANDARDS MET	EN 60601-1, EN 60601-2-41
SPECIAL FEATURES	Sterilizable handle, high quality arm system, 4-step dimmable (100% / 80% / 60% / 40%) *, focusable, color changeable
MOUNTING	Ceiling mount, ceiling tube can be cut on site (length: 25-120 cm)
ACCESSORIES	Sterilizable handle, handle cover, intermediate ceiling adapter

TREATMENT LIGHT



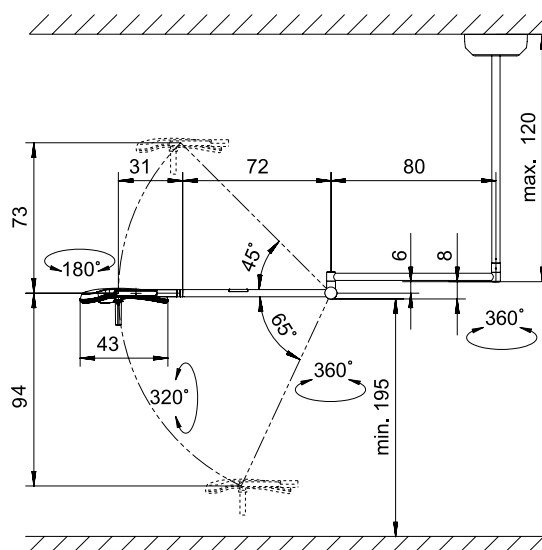
	lighting field / 1.0 m	color temperature	dimmable	Order No.
	changeable value 16 / 20 / 25 cm	changeable value 3700 / 4300 / 4700 K*		
TRIANGO Fokus 130-3 C	x	x	x	D16.290.000

LIGHT DISTRIBUTION



valid for Triango 130 with fixed lighting field

TECHNICAL DRAWING



measurements in centimeters * -10% / +20% tolerance



TRIANGO 130 W

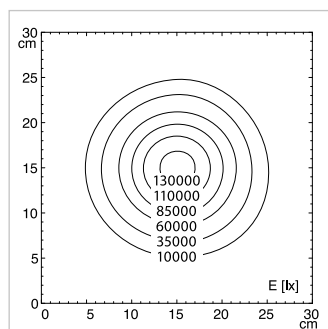
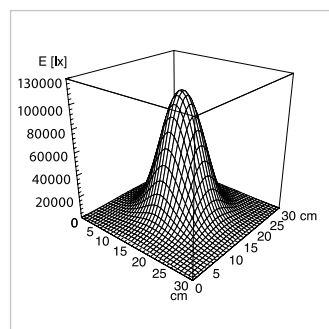
TECHNICAL DATA	
FITTED WITH	1 x LED module
LUMINOUS POWER	130 000 lux / 1.0 m *
COLOR RENDERING INDEX	Ra > 96
DEPTH OF ILLUMINATION	80 cm
OPERATION EQUIPMENT	Electronic converter
CORD LENGTH	Direct power supply
LUMINAIRE BODY	PA
WEIGHT (NET)	15.3 kg
POWER CONSUMPTION	40 W
RATED CONNECTION VOLTAGE	100 - 240 V
FREQUENCY RANGE	50 / 60 Hz
USAGE	Touch panel on cardanic system
TECHNOLOGY	Single-pole secondary
BALANCE OF ARTICULATION JOINTS	Spring (weight compensation)
CLASS OF PROTECTION	I
PROTECTION RATING	According to IEC 60529 IP 20 luminaire head IP 43 (horizontal position)
STANDARDS MET	EN 60601-1, EN 60601-2-41
SPECIAL FEATURES	Sterilizable handle, high quality arm system, 4-step dimmable (100% / 80% / 60% / 40%) *, focusable, color changeable
MOUNTING	Wall mount
ACCESSORIES	Sterilizable handle, handle cover

TREATMENT LIGHT

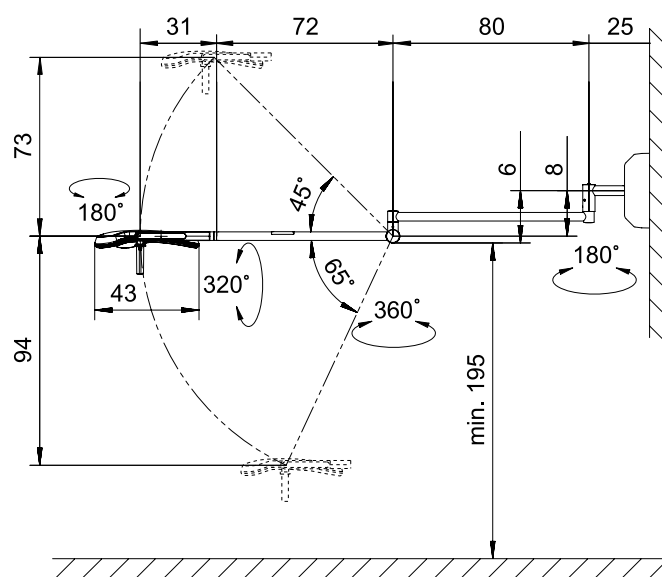


	lighting field / 1.0 m	color temperature	dimmable	Order No.
	changeable value 16 / 20 / 25 cm	changeable value 3700 / 4300 / 4700 K*		
TRIANGO Fokus 130-3 W	x	x	x	D16.291.000

LIGHT DISTRIBUTION



TECHNICAL DRAWING



valid for Triango 100 with fixed lighting field

TRIANGO 130 F



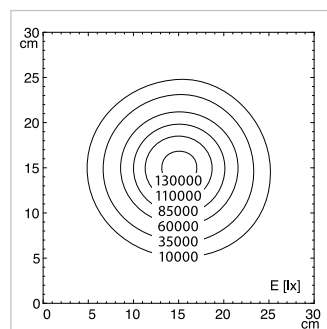
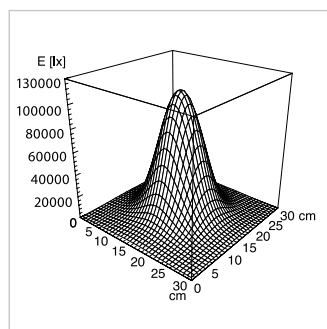
TECHNICAL DATA	
FITTED WITH	1 x LED module
LUMINOUS POWER	130 000 lux / 1.0 m *
COLOR RENDERING INDEX	Ra > 96
DEPTH OF ILLUMINATION	80 cm
OPERATION EQUIPMENT	Electronic converter
CORD LENGTH	3 m
LUMINAIRE BODY	PA
WEIGHT (NET)	20.0 Kg
POWER CONSUMPTION	40 W
RATED CONNECTION VOLTAGE	100 - 240 V
FREQUENCY RANGE	50 / 60 Hz
USAGE	Touch panel on cardanic system
TECHNOLOGY	Single-pole secondary
BALANCE OF ARTICULATION JOINTS	Spring (weight compensation)
CLASS OF PROTECTION	I
PROTECTION RATING	According to IEC 60529 IP 20 luminaire head IP 43 (horizontal position)
STANDARDS MET	EN 60601-1, EN 60601-2-41
SPECIAL FEATURES	Sterilizable handle, high quality arm system, 4-step dimmable (100% / 80% / 60% / 40%) *, focusable, color changeable
MOUNTING	roller stand
ACCESSORIES	Sterilizable handle, handle cover

TREATMENT LIGHT



	lighting field / 1.0 m	color temperature	dimmable	Order No.
	changeable value 16 / 20 / 25 cm	changeable value 3700 / 4300 / 4700 K*		
TRIANGO Fokus 130-3 F	x	x	x	D16.295.000 - CH D16.292.000 - SCHUKO D16.293.000 - UK

LIGHT DISTRIBUTION



valid for Triango 100 with fixed lighting field

TECHNICAL DRAWING

